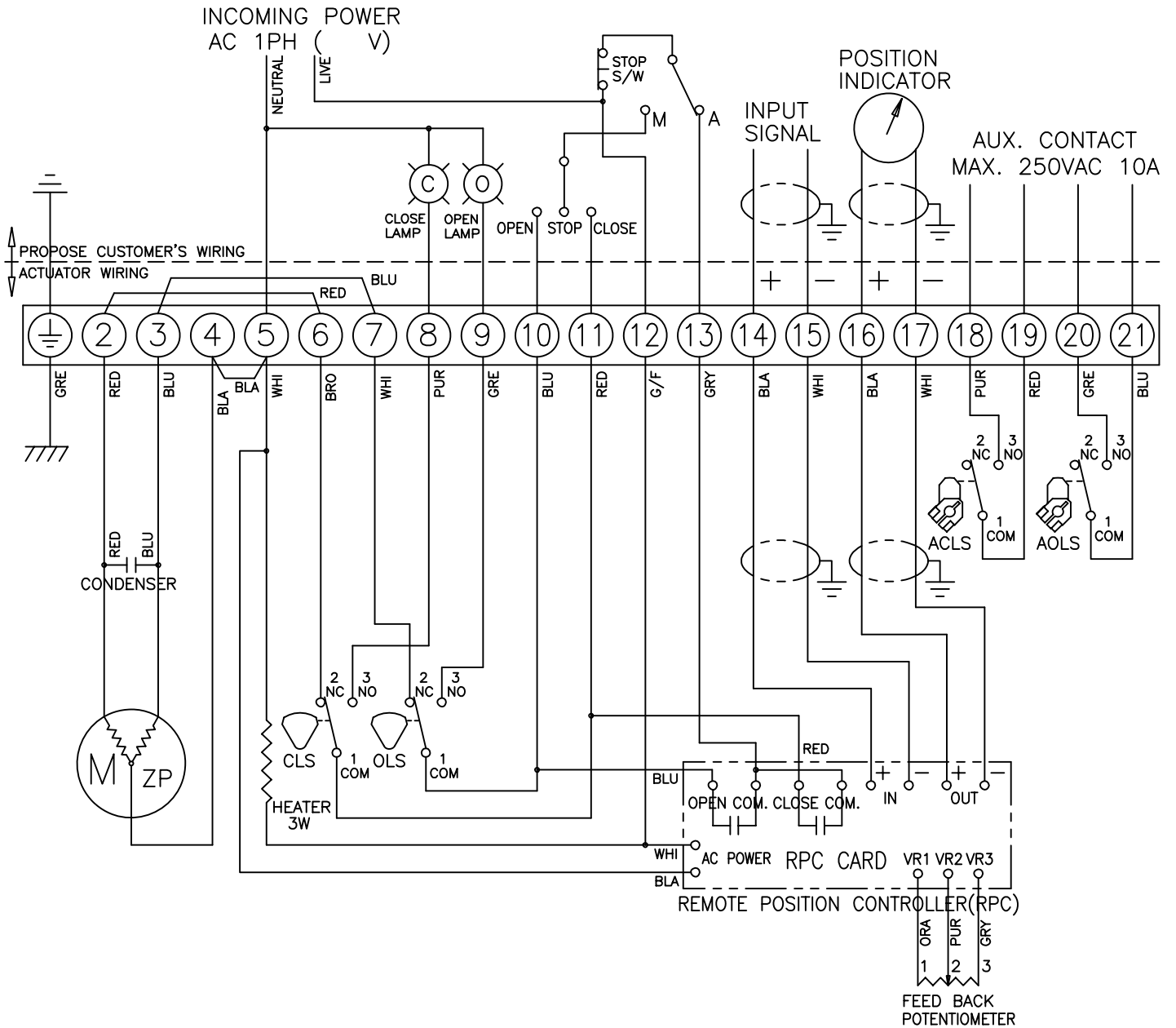


CLS : CLOSE LIMIT SWITCH (250VAC 3A)
 OLS : OPEN LIMIT SWITCH (250VAC 3A)
 ACLS : AUX. CLOSE LIMIT SWITCH (250VAC 3A)
 AOLS : AUX. OPEN LIMIT SWITCH (250VAC 3A)
 ZP : IMPEDANCE PROTECTED MOTOR

*EACH ACTUATOR SHOULD BE POWERED THROUGH ITS OWN INDIVIDUAL SWITCH OR RELAY CONTACTS TO PREVENT CROSS FEED BETWEEN TWO OR MORE ACTUATORS.

TORQUE AND LIMIT SWITCHES OPERATION

SWITCH	CLOSE ←	INTERMEDIATE	→ OPEN
CLS 1-2			
CLS 1-3			
OLS 1-2			
OLS 1-3			
ACLS1-2			
ACLS1-3			
AOLS1-2			
AOLS1-3			



		DRAWN C.J. CHU	DESIGN C.J. CHU	CHECKED	APPROVER
	PART NAME 1PH WIRING DIAGRAM	ISSU. DEPT. ITCDR	DATE 2005.10.20	SIZE A4	PROGRAM AUTO CAD
ITQ-0080	OPTION NAME Modulating	DWG NO AE Series-880M			
APP'L,FILE					