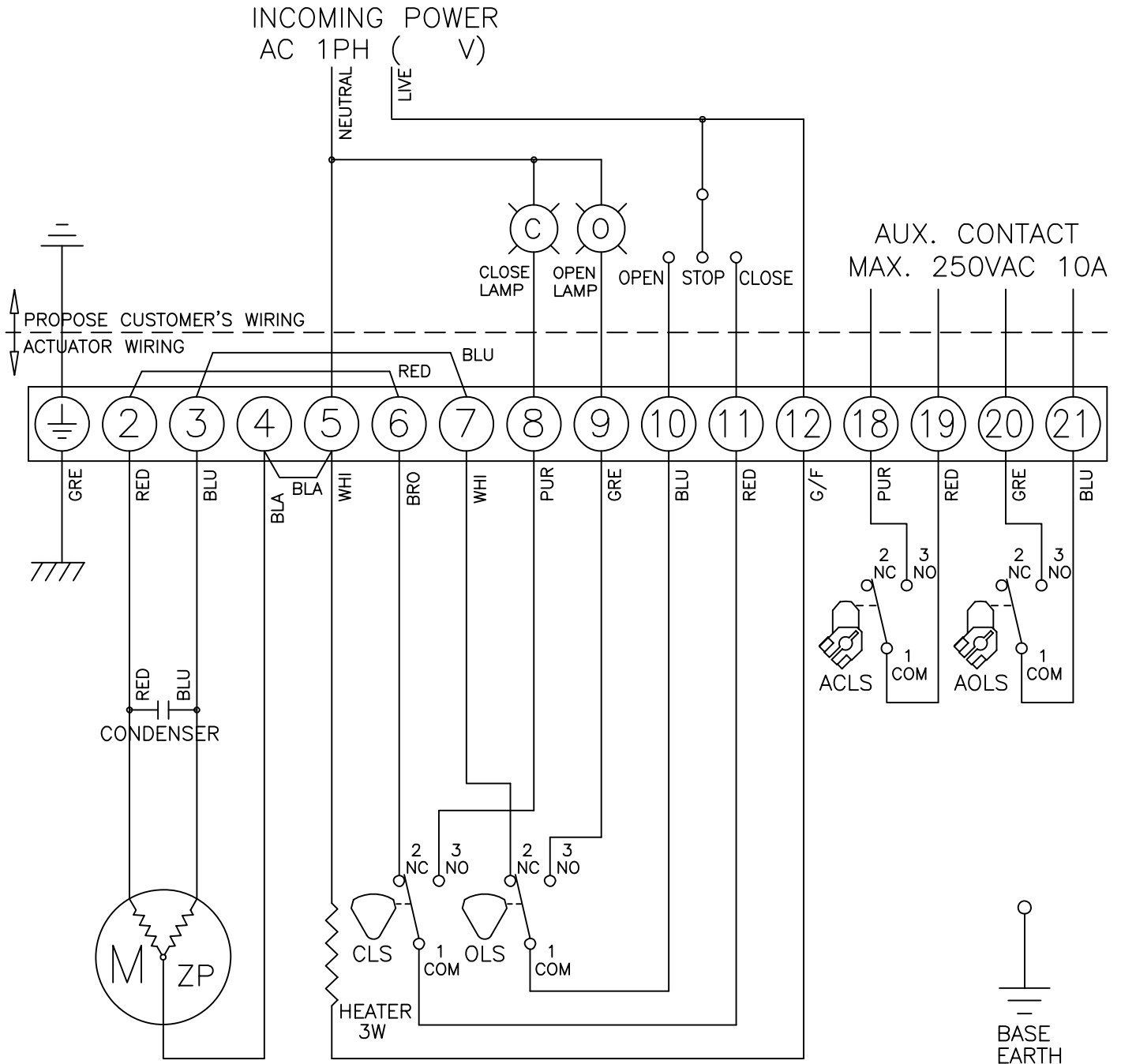


CLS : CLOSE LIMIT SWITCH (250VAC 3A)  
 OLS : OPEN LIMIT SWITCH (250VAC 3A)  
 ACLS : AUX. CLOSE LIMIT SWITCH (250VAC 3A)  
 AOLS : AUX. OPEN LIMIT SWITCH (250VAC 3A)  
 ZP : IMPEDANCE PROTECTED MOTOR

\*EACH ACTUATOR SHOULD BE POWERED THROUGH ITS OWN INDIVIDUAL SWITCH OR RELAY CONTACTS TO PREVENT CROSS FEED BETWEEN TWO OR MORE ACTUATORS.

TORQUE AND LIMIT SWITCHES OPERATION

SWITCH	CLOSE ←	INTERMEDIATE	→ OPEN
CLS 1-2			
CLS 1-3			
OLS 1-2			
OLS 1-3			
ACLS 1-2			
ACLS 1-3			
AOLS 1-2			
AOLS 1-3			



PART NAME

OPTION NAME

DRAWN

C.J. CHU

ISSU. DEPT.

ITCDR

DWG NO

DESIGN

C.J. CHU

DATE

2005.10.20

AE Series-700-1PH

CHECKED

SIZE

A4

APPROVER

PROGRAM

AUTO CAD