

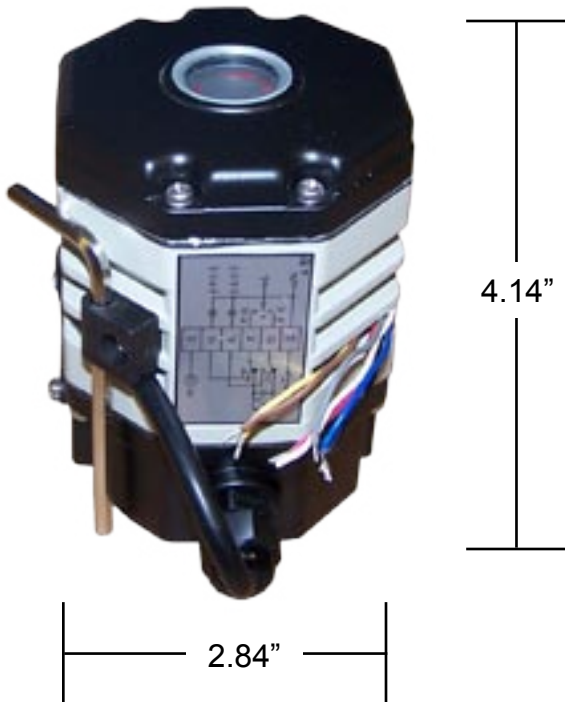
Electric Double-Acting Actuator

Description

The Jomar AE-180 is the actuator of choice for all of your smaller valve size applications. It may be small in stature, but it has a lot of torque, producing 180 "lbf output torque.

Features

- 180 "lbf output torque
- Fits most 1/4" to 1" ISO mount ball valves
- Small size for tight application
- Standard with 2 limit switches
- Standard ISO 5211 mounting
- Standard manual override
- Voltage: 120/60/1
- On/Off applications only
- .43" output drive (female)
- F03/F04/F05 mounting
- Temp range: 40°F to 120°F



Architect/Engineer approval

Job Name _____ Date _____
Model Specified _____ Quantity _____
Variations Specified _____
Customer/Wholesaler _____
Contractor _____
Architect _____

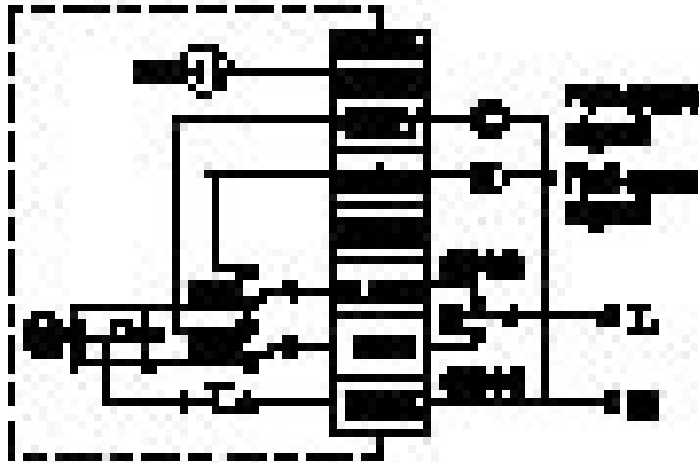
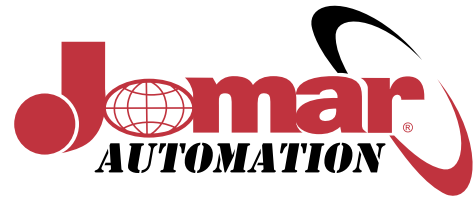
Note: Information subject to change without notice.



Jomar International Ltd.
7243 Miller Drive
Warren, MI 48092
Phone: 800-325-5690
Fax: 800-628-4194
www.jomar.com

AE Series

Electric Double-Acting Actuator



Note: Information subject to change without notice.



Jomar International Ltd.
7243 Miller Drive
Warren, MI 48092
Phone: 800-325-5690
Fax: 800-628-4194
www.jomar.com