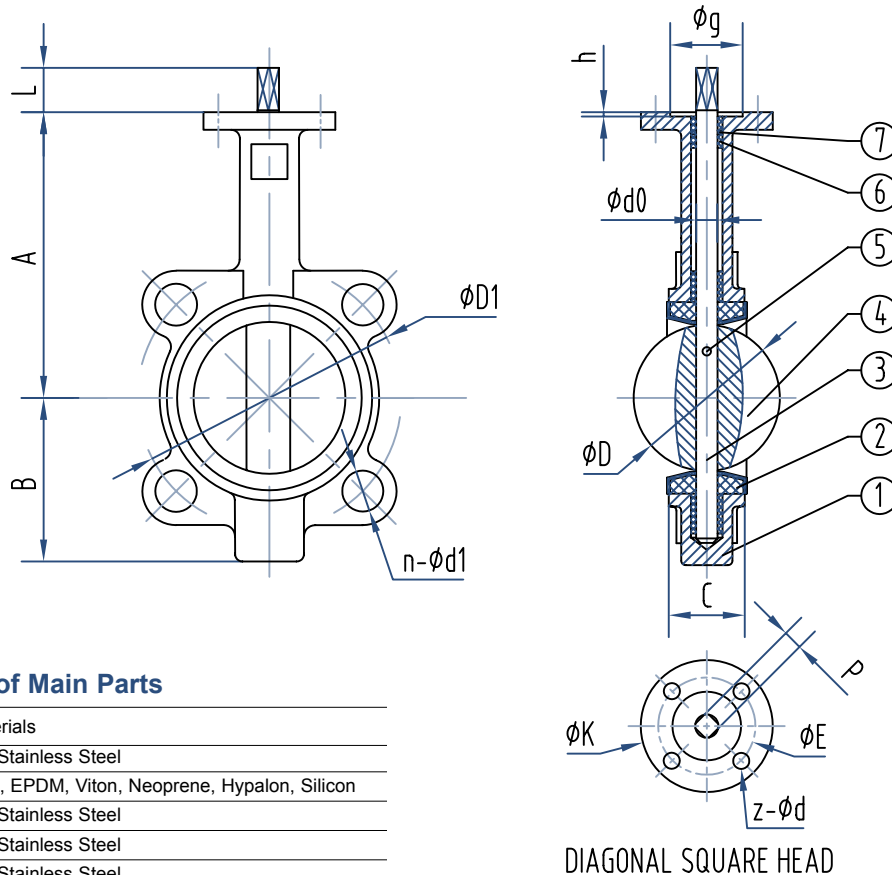


# 14" - 24" Butterfly Valve



## Standard Materials of Main Parts

No.	Part Name	Materials
1	Body	316 Stainless Steel
2	Seat	NBR, EPDM, Viton, Neoprene, Hypalon, Silicon
3	Shaft	416 Stainless Steel
4	Disc	316 Stainless Steel
5	Pin	316 Stainless Steel
6	Bushing	PTFE, Bronze
7	O-Ring	NBR, EPDM

DIAGONAL SQUARE HEAD

Size		A	B	C	D	L	d0	P	Upper Flange					ANSI 150		Weight (LB)	Torque "# @ 100PSI	
in	DN								ISO5211	K	E	z-d	g	h	D1			n-d1
14	350	14.5	10.5	3.0	13.1	1.8	1.2	0.87	F10	5.5	4.0	4 - 0.47	2.8	0.14	18.7	12 - 1.1	91.1	11,100
16	400	15.7	12.2	3.4	15.3	2.0	1.3	0.94	F14	7.8	5.5	4 - 0.71	3.9	0.16	21.3	16 - 1.1	134.5	15,099
18	450	16.6	12.9	4.2	17.3	2.0	1.5	1.1	F14	7.8	5.5	4 - 0.71	3.9	0.16	22.8	16 - 1.3	174.2	19,860
20	500	18.9	14.3	5.2	19.4	2.5	1.6	1.4	F14	7.8	5.5	4 - 0.71	3.9	0.16	25.0	20 - 1.3	282.2	26,108
24	600	22.1	17.9	7.6	23.3	2.8	2.0	1.4	F16	10.9	6.5	4 - 0.91	5.1	0.20	29.5	20 - 1.4	414.5	40,135

Note: (1) The maximum working pressure is 1.0 MPa (150PSI) for 14" or larger  
 (2) 14" - 24" maximum working pressure of 1.6MPa (200PSI) can be supplied as per specified order requirement